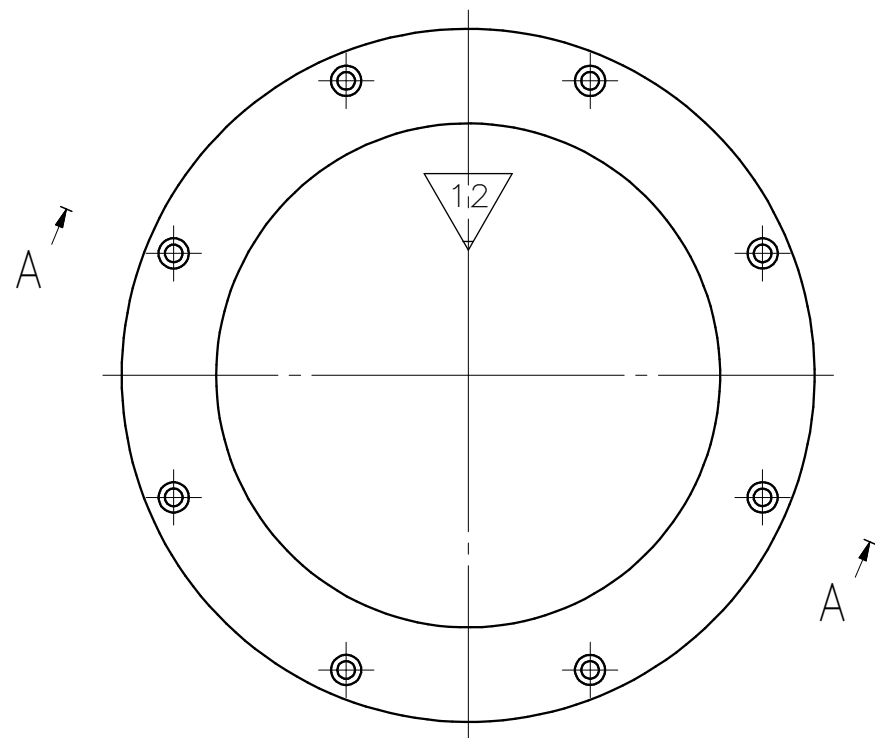
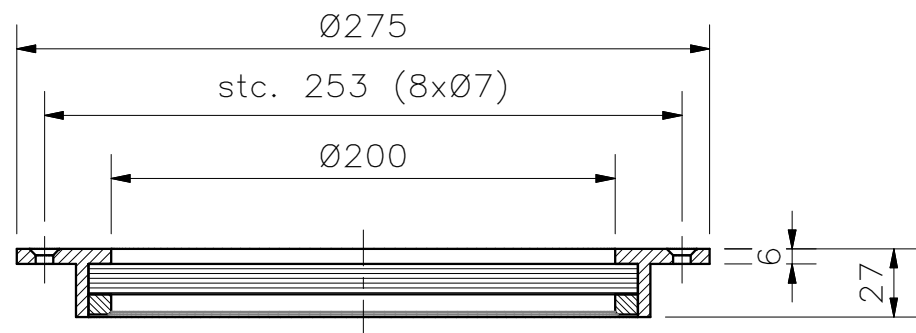


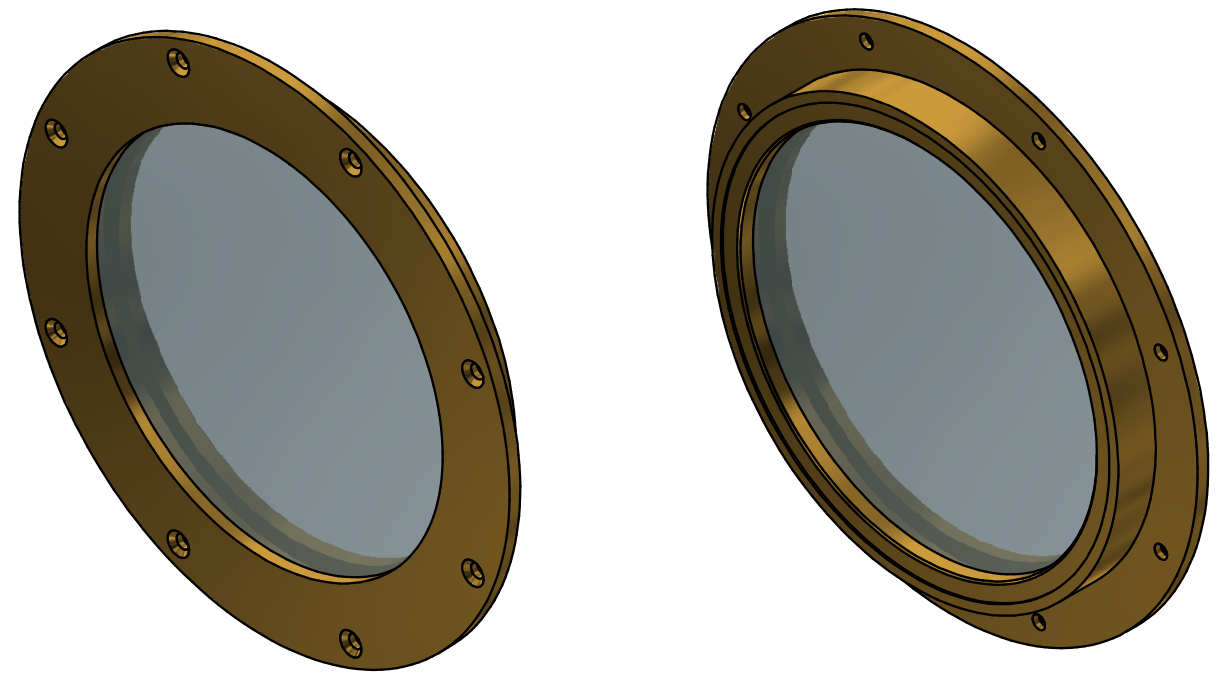
FRONT VIEW
1:3




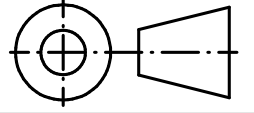
SECTION A-A
1:3



This drawing and design is protected by copyright and the information is confidential. It is also protected and registered under Dutch laws through the Dutch government department for Taxes. The drawing and/or models may not to be copied, reproduced, duplicated or disclosed to others, in whole or in part without prior written consent of Rob Snel b.v./the Netherlands



3D-IMPRESSION

C				
B				
A				
Rev.:	REV. DATE:	REVISION SUBJECT		
Date:	6-2-2024	 Rob Snel TECHNISCHE GROOTHANDEL	Rob Snel Technische Groothandel Industrieweg 39 3361 HJ Sliedrecht T +31 (0)184 43 30 30 F +31 (0)184 43 30 31 E s.snel@robsnel.nl I www.robsnel.nl	
Drawn:	HB		Art.nr:	
Scale:	1:3		Projection type:	
Status:	Pending			
Cust.:				
Project:		Title: Brass Porthole ø200		
Mat:	Dwg.nr:	Revision:	Sheet:	Format:
	45.BR.200.00	0	1	A3