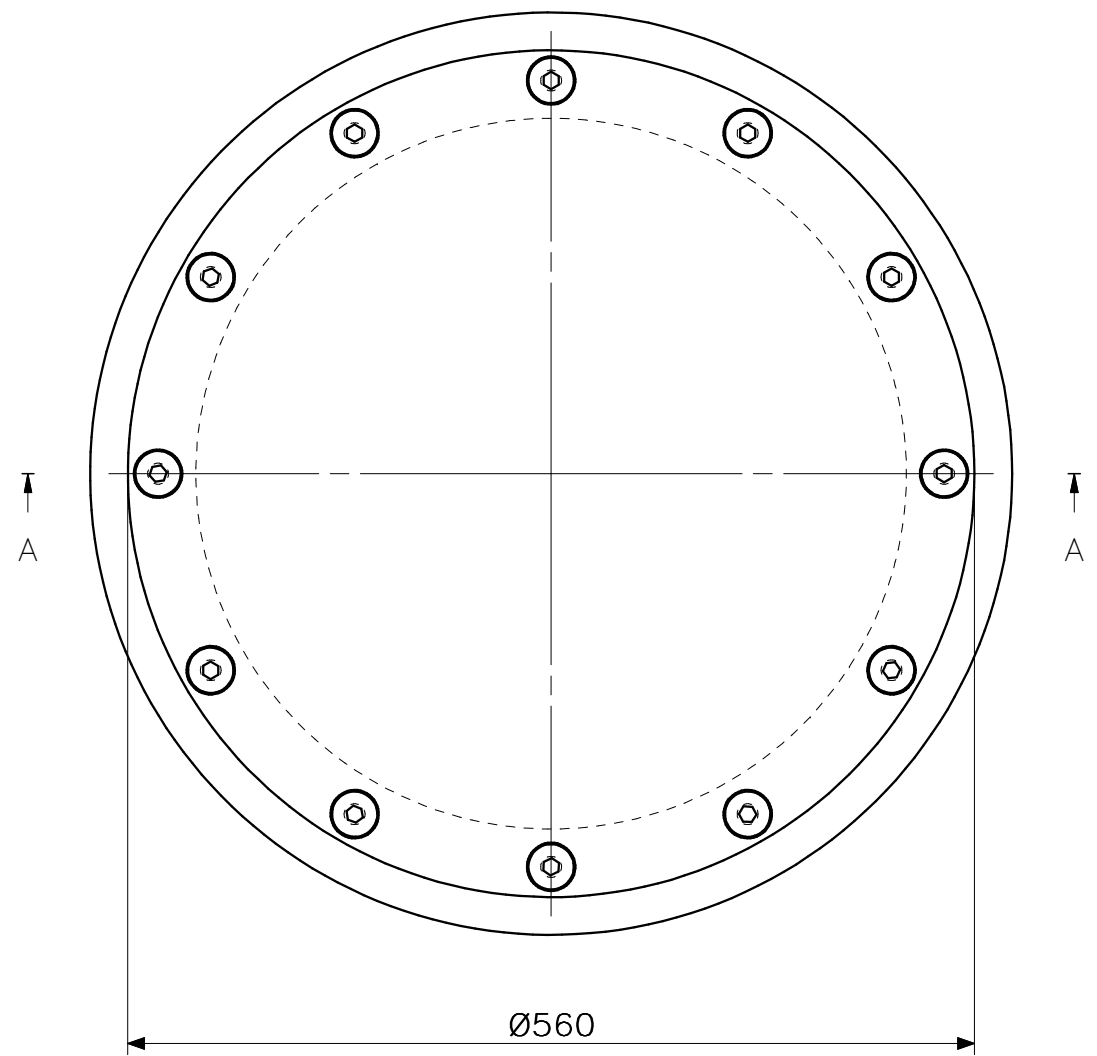
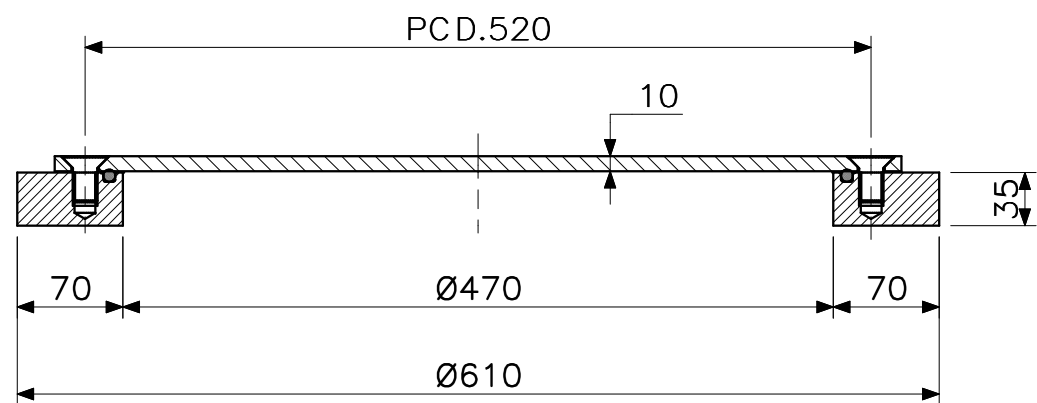


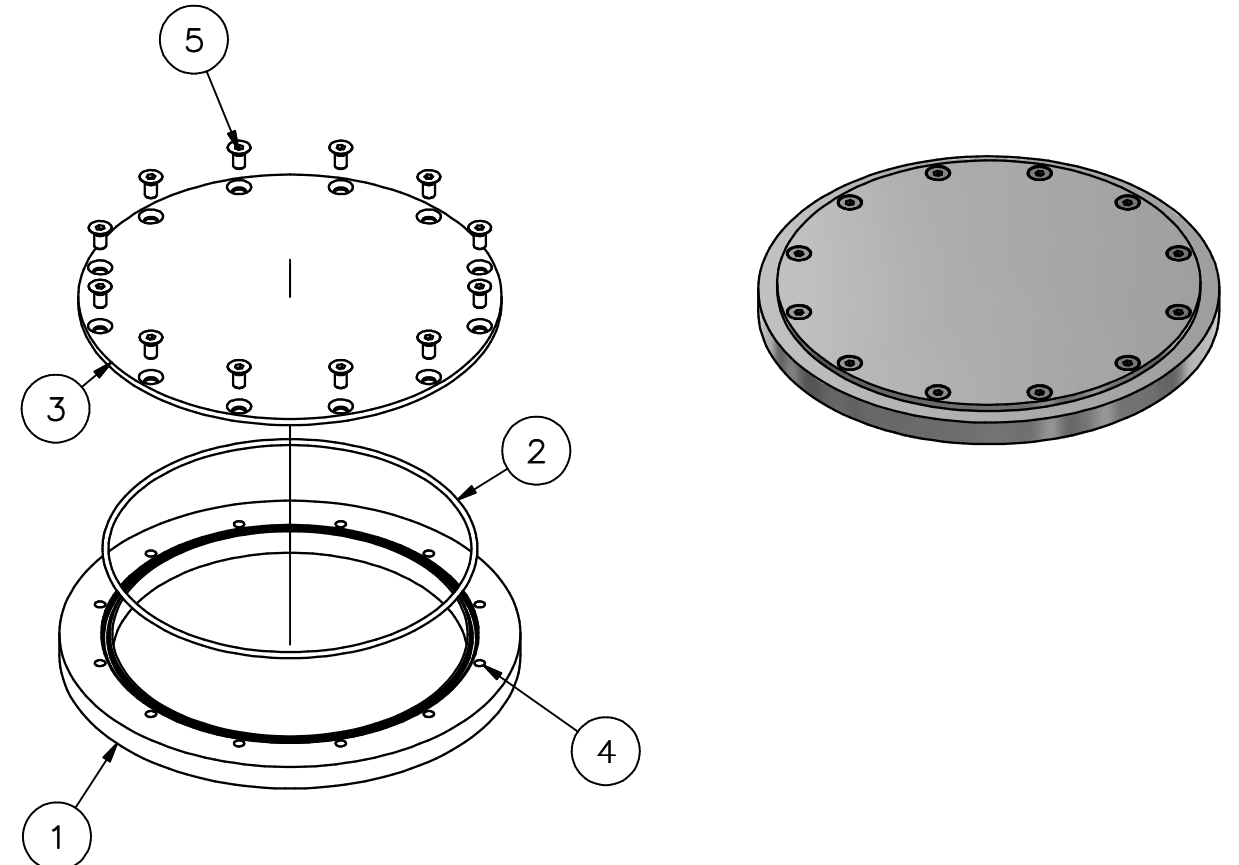
TOP-VIEW
1:5



SECTION A-A
1:5



This drawing and design is protected by copyright and the information is confidential. It is also protected and registered under Dutch laws through the Dutch government department for taxes. The drawing and/or models may not to copied, reproduced, duplicated or disclosed to others, in whole or in part without prior written consent of Rob Snel B.V./the Netherlands



3D-IMPRESSION - EXPLODED VIEW

POS	QTY	TITLE	MATERIAL	DIMENSION	DWG NR
5	12	Hexagon socket countersunk head	Stainless Steel A4	DIN 7991 - M16x30	524.05
4	12	Thread Insert M16x20	Stainless Steel A4	DIN 8140	524.05
3	1	Manhole Cover	Aluminium 5083-H321	ø560x10	524.05
2	1	Seal NBR 70gr Shore A	Nitril	ø8	524.05
1	1	Manhole Ring	Aluminium 5083-H321	ø560xø470x25	524.05

REV.	DATE	REVISION SUBJECT
C		
B		
A		

Date:	19-6-2023	 <p>Rob Snel TECHNISCHE GROOTHANDEL</p>	Rob Snel Technische Groothandel Industrieweg 39 3361 HJ Sliedrecht T +31 (0)184 43 30 30 F +31 (0)184 43 30 31 E s.snel@robsnel.nl I www.robsnel.nl	Art.nr:
Drawn:	Hans Baars			Projection type:
Scale:	1:5			
Status:	Pending			
Cust.:				
Project:		Title:		

Title: Aluminium Manhole C/O ø470 - Type B FLUSH - 12 Bolts				
Mat:	Dwg.nr:	Revision:	Sheet:	Format:
	52.AL.524.05		1	A3