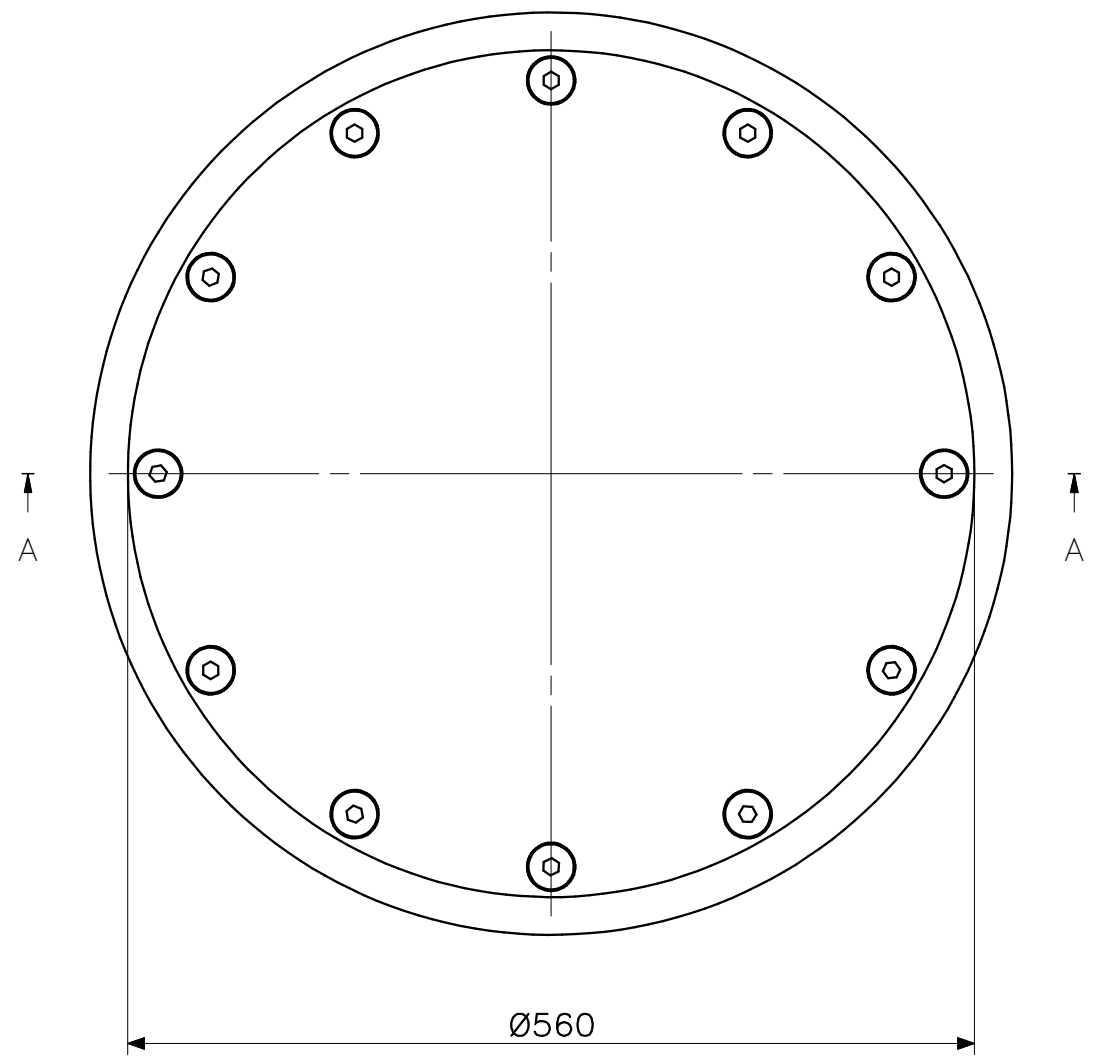
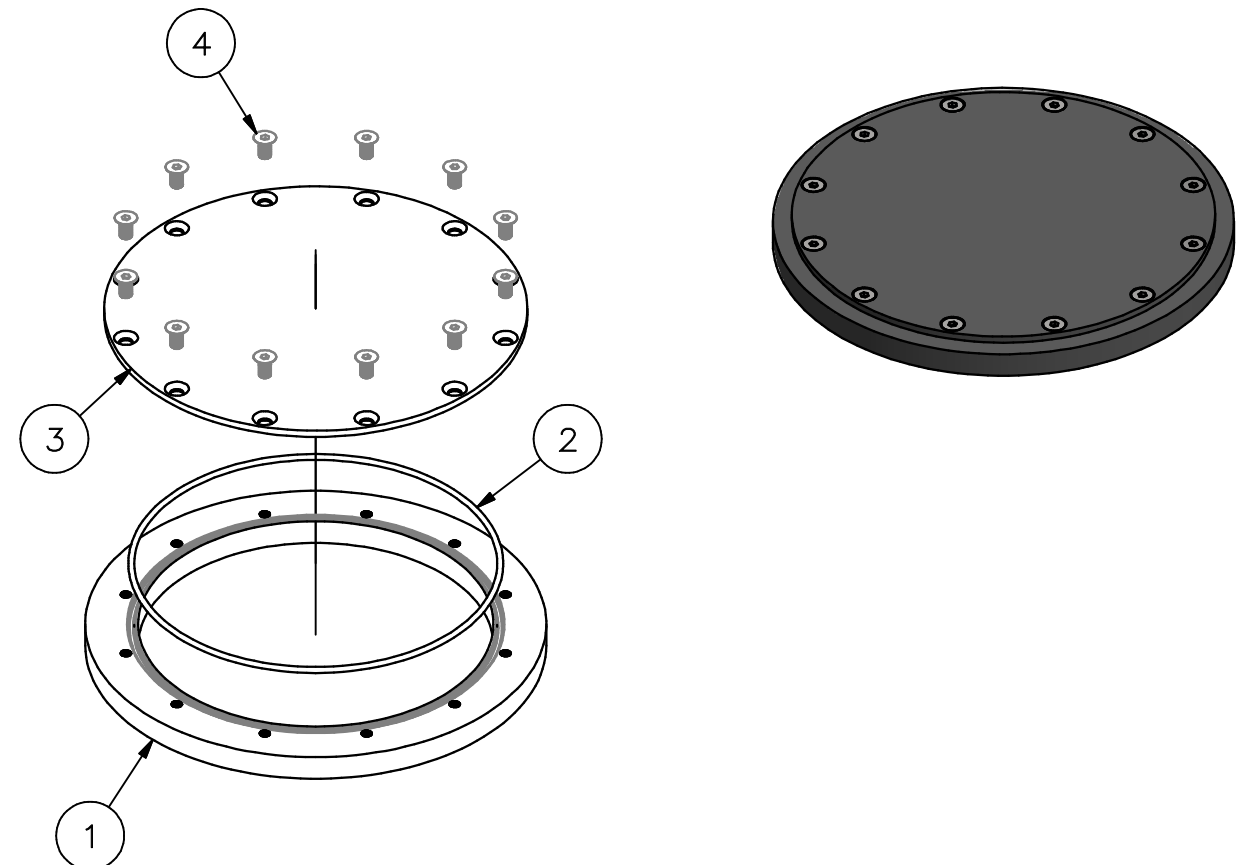
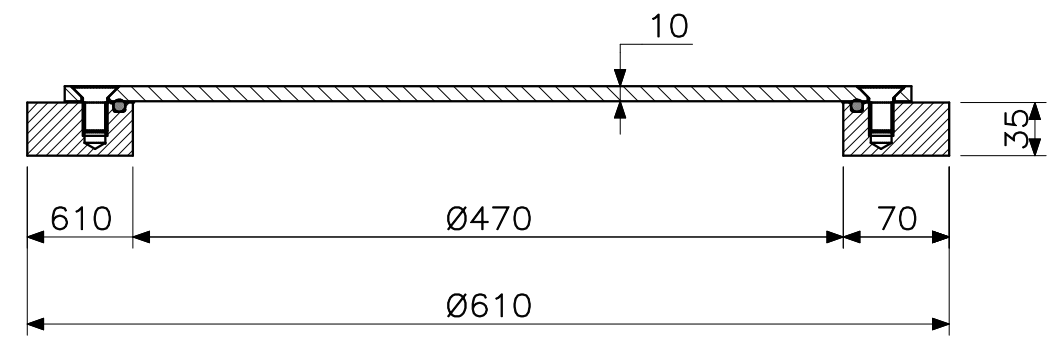


This drawing and design is protected by copyright and the information is confidential. It is also protected and registered under Dutch laws through the Dutch government department for taxes. The drawing and/or models may not to copied, reproduced, duplicated or disclosed to others, in whole or in part without prior written consent of Rob Snel B.V./the Netherlands


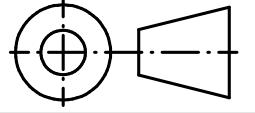
TOP-VIEW



SECTION A-A



3D-IMPRESSION - EXPLODED VIEW

4	12	Hexagon socket countersunk head	Steel 8.8	DIN 7991 - M16x30	512.01
3	1	Manhole Cover	Q235B	Ø560x10	512.01
2	1	Seal NBR 70gr Shore A	Nitril	Ø8	512.01
1	1	Manhole Ring	Q235B	Ø560xØ470x25	512.01
POS	QTY	TITLE	MATERIAL	DIMENSION	DWG NR
C					
B					
A					
Rev.:		REV. DATE:	REVISION SUBJECT		
Date:	25-2-2022		 <p><b>Rob Snel</b> TECHNISCHE GROOTHANDEL</p>	Art.nr:	
Drawn:	Hans Baars			Projection type:	
Scale:	1:5				
Status:	Pending			T +31 (0)184 43 30 30 F +31 (0)184 43 30 31 E s.snel@robsnel.nl I www.robsnel.nl	
Cust.:					
Project:					
Title: <b>Steel Manhole C/O Ø470 - Type B - 12 Bolts</b>					
Mat:	Dwg.nr:		512.02	Revision:	Sheet: 1
					Format: A3