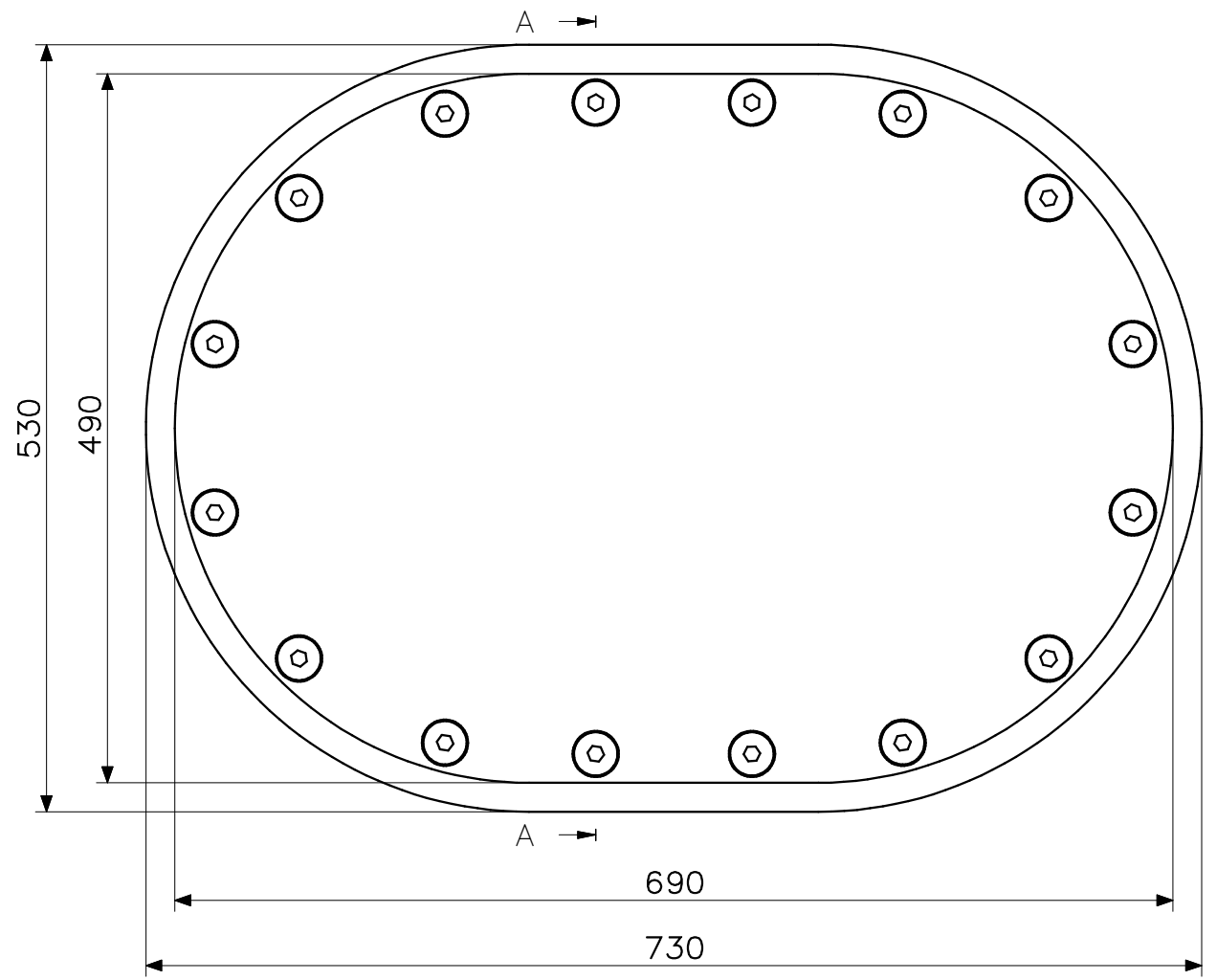
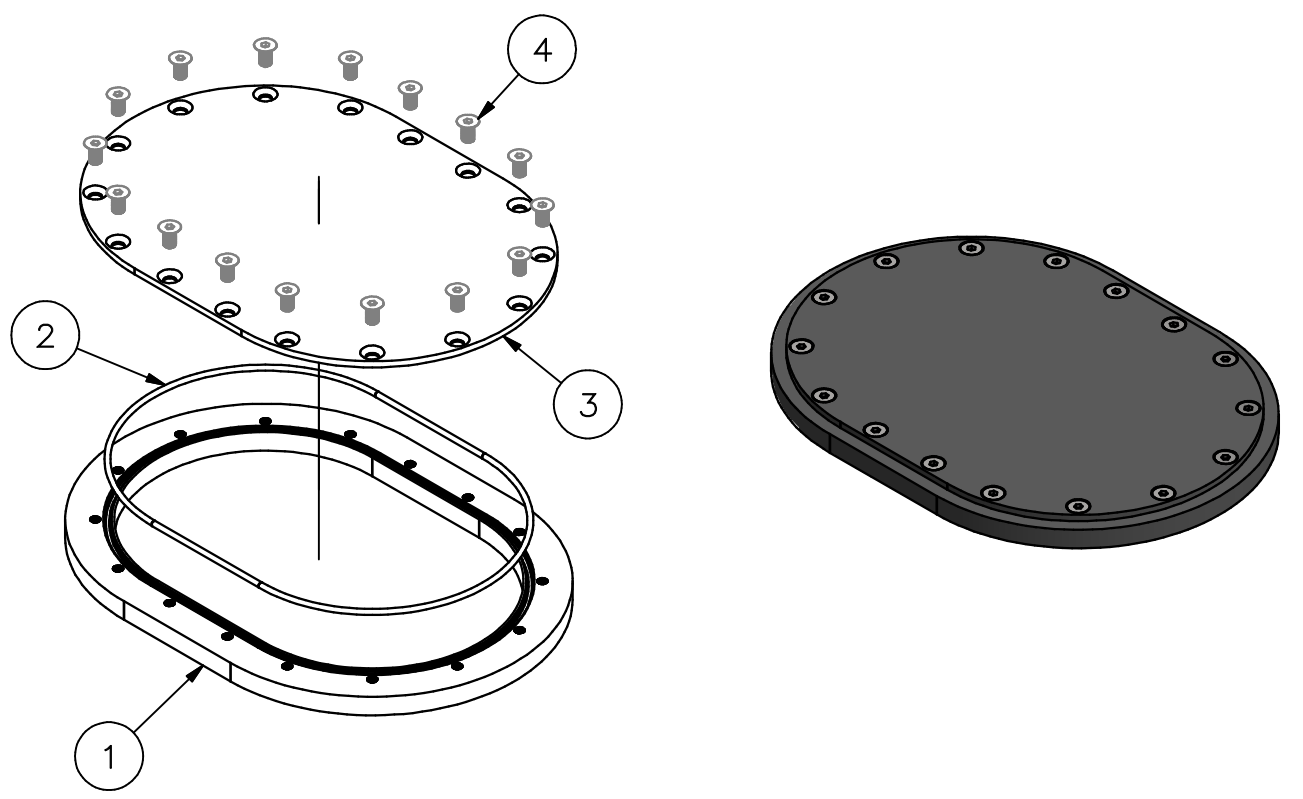
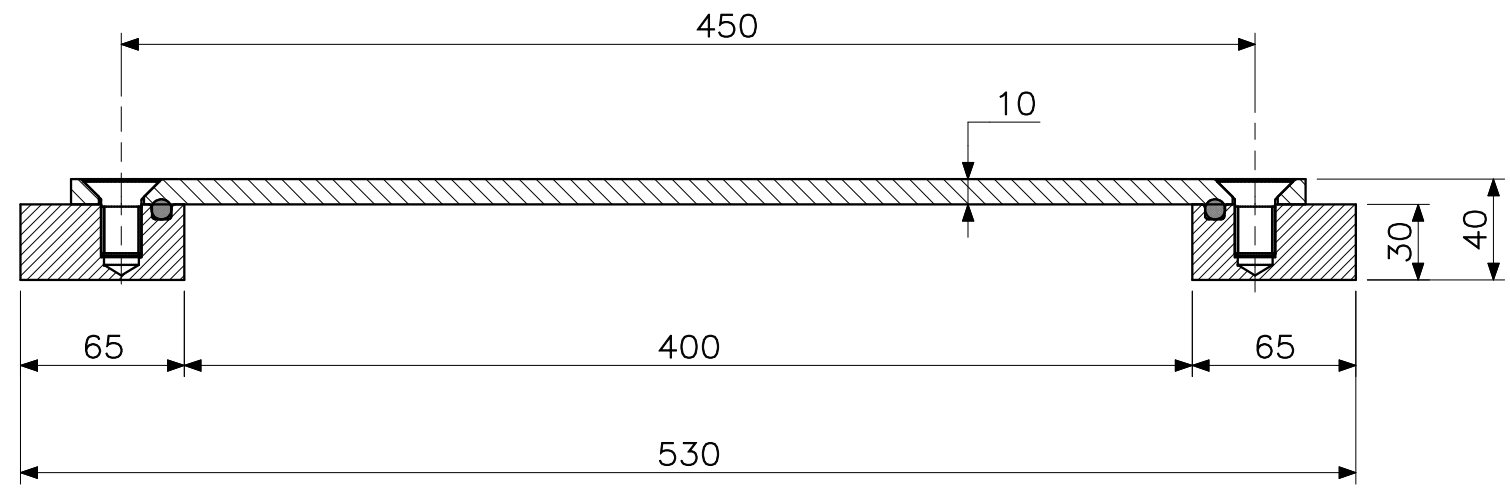


This drawing and design is protected by copyright and the information is confidential. It is also protected and registered under Dutch laws through the Dutch government department for taxes. The drawing and/or models may not to copied, reproduced, duplicated or disclosed to others, in whole or in part without prior written consent of Rob Snel B.V./the Netherlands


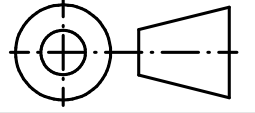
TOP-VIEW



SECTION A-A



3D-IMPRESSION - EXPLODED VIEW

4	16	Hexagon socket countersunk head	Steel 8.8	DIN 7991 - M16x30	511.11	
3	1	Manhole Cover	Q235B	690x490	511.11	
2	1	Seal	Nitril	ø8 L:1713	511.11	
1	1	Manhole Ring	Q235B	730x530	511.11	
POS	QTY	TITLE	MATERIAL	DIMENSION	DWG NR	
C						
B						
A						
Rev.: REV. DATE: REVISION SUBJECT						
Date:	27-12-2021	 <p>Rob Snel Technische Groothandel Industrieweg 39 3361 HJ Sliedrecht</p> <p>T +31 (0)184 43 30 30 F +31 (0)184 43 30 31 E s.snel@robsnel.nl I www.robsnel.nl</p>			Art.nr:	
Drawn:	Hans Baars				Projection type:	
Scale:	1:5 1:3					
Status:	Pending					
Cust.:						
Project:		<p>Title: Steel Manhole C/O 600x400 - Type G-Oval</p>				
Mat:		Dwg.nr:	511.11	Revision:	Sheet:	Format:
					1	A3