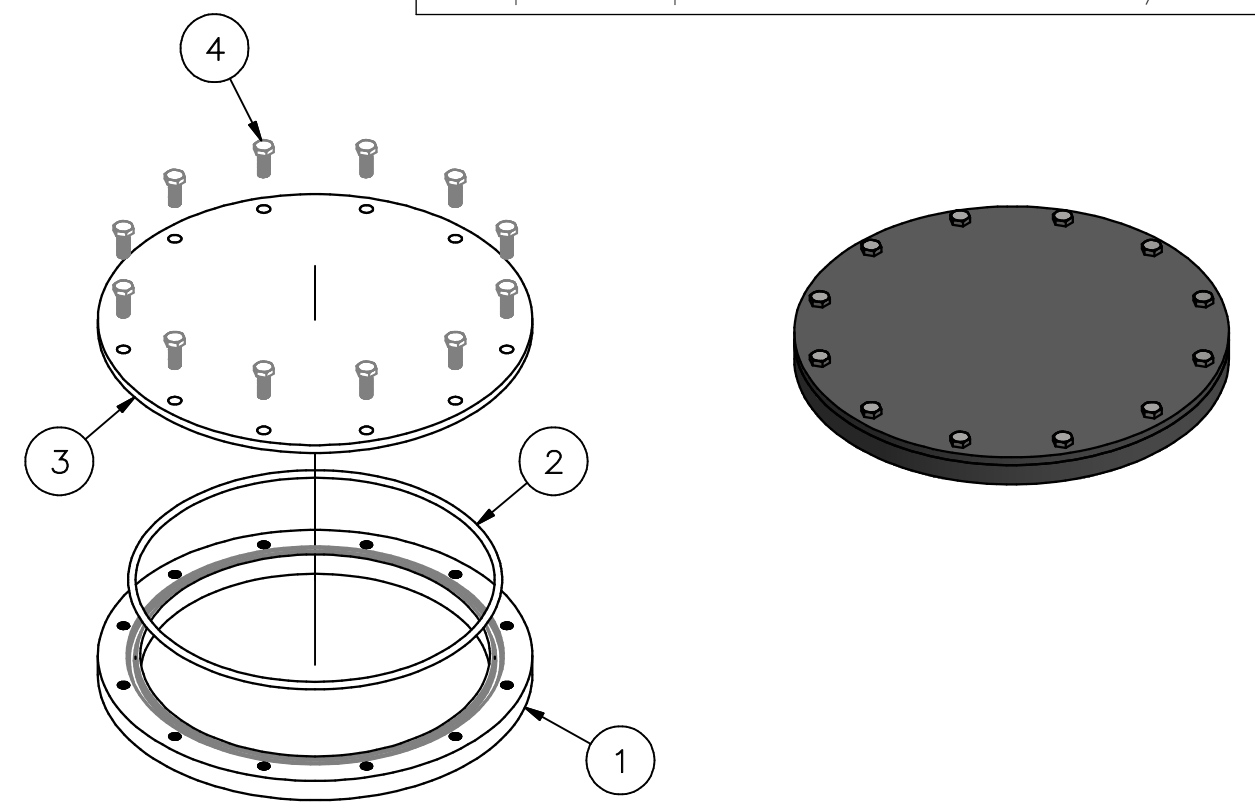



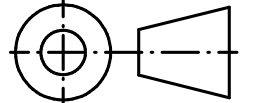
This drawing and design is protected by copyright and the information is confidential. It is also protected and registered under Dutch laws through the Dutch government department for taxes. The drawing and/or models may not to copied, reproduced, duplicated or disclosed to others, in whole or in part without prior written consent of Rob Snel B.V./the Netherlands



4	12	Hex-Head Bolt	Steel 8.8	DIN 933 - M12 x 30	510.03
3	1	Manhole Cover	Q235B	ø460x10	510.03
2	1	Seal NBR 70gr Shore A	Nitril	ø8	510.03
1	1	Manhole Ring	Q235B	ø460xø370x25	510.03
POS	QTY	TITLE	MATERIAL	DIMENSION	DWG NR

C		
B		
A		

Rev.: REV. DATE: REVISION SUBJECT

Date:	28-1-2022	 Rob Snel TECHNISCHE GROOTHANDEL	Rob Snel Technische Groothandel Industrieweg 39 3361 HJ Sliedrecht T +31 (0)184 43 30 30 F +31 (0)184 43 30 31 E s.snel@robsnel.nl I www.robsnel.nl	Art.nr:
Drawn:	Hans Baars			Projection type:
Scale:	1:5 1:3			
Status:	Pending			
Cust.:				
Project:				

Title: **Steel Handhole C/O ø350 - Type T - 12 Bolts**

Mat:	Dwg.nr:	510.03	Revision:	Sheet:	Format:
				1	A3