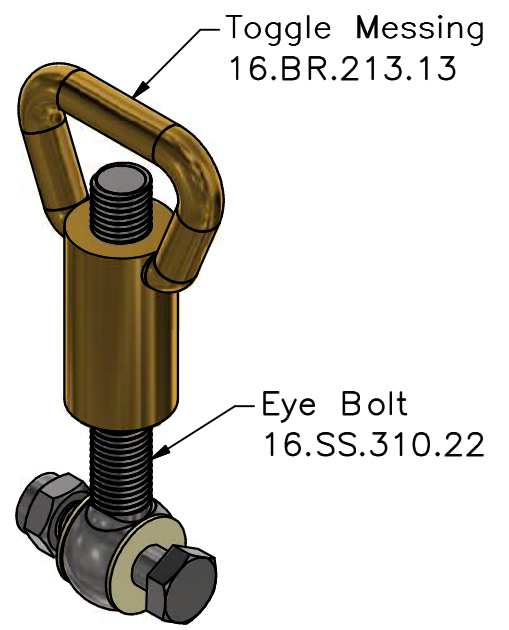
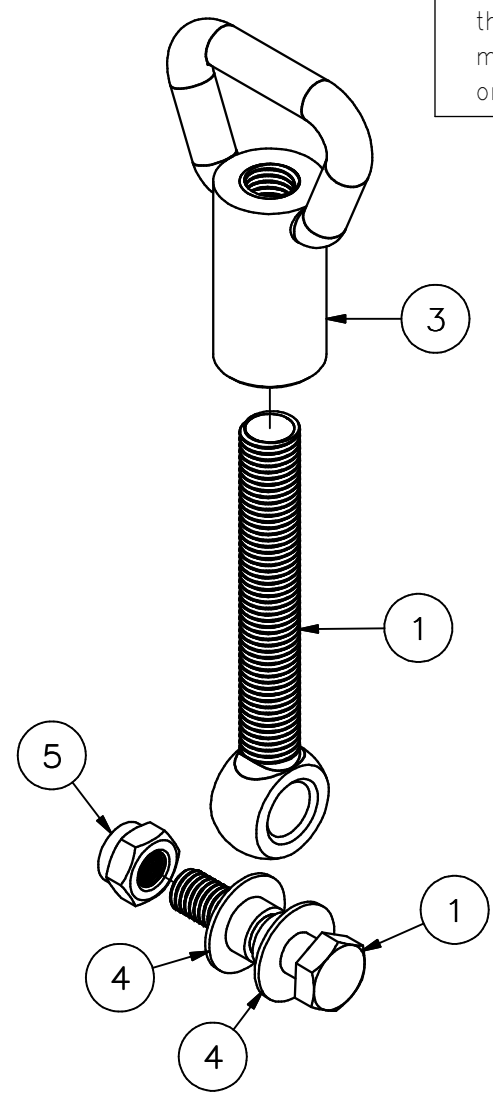
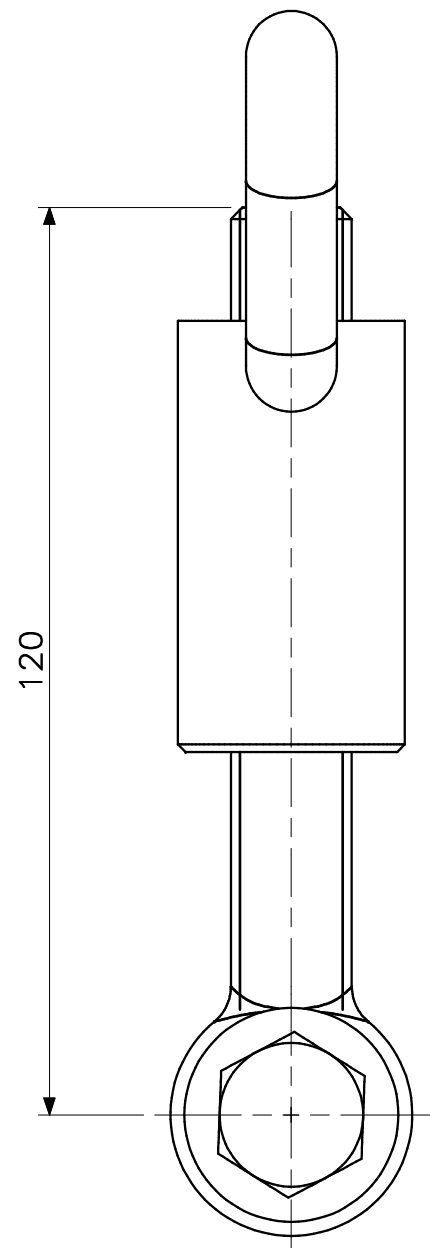
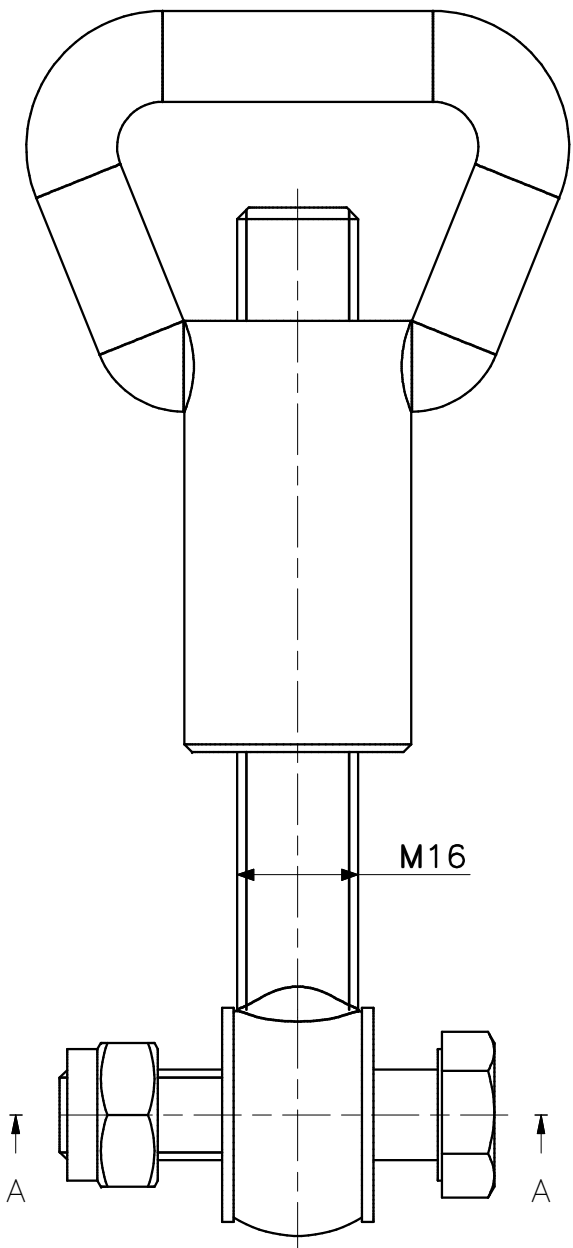
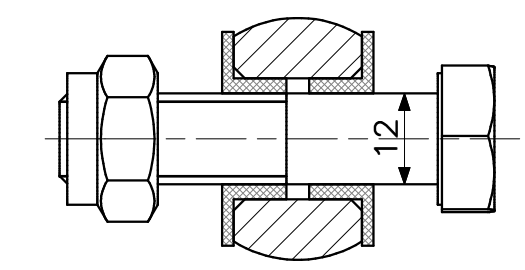


This drawing and design is protected by copyright and the information is confidential. It is also protected and registered under Dutch laws through the Dutch government department for taxes. The drawing and/or models may not be copied, reproduced, duplicated or disclosed to others, in whole or in part without prior written consent of Rob Snel B.V./the Netherlands



3D-IMPRESSION – EXPLODED VIEW



| 5 | 1 | Lock Hex Nut DIN985 | Stainless Steel | M12 | 12.SS912.12 |
|-----|-----|----------------------------------|-----------------|-----------|--------------|
| 4 | 2 | Nylon bearing | Nylon 6/6 | ø16 ø12 | 16.NL.924.13 |
| 3 | 1 | TOGGLE M16 MESSING | Messing | M16 | 16.BR.213.13 |
| 2 | 1 | EYE BOLT M16x120 STAINLESS STEEL | Stainless Steel | M16x120 | 16.SS.310.22 |
| 1 | 1 | Hex-Head Bolt | Stainless Steel | M12x50 | 12.SS.900.50 |
| POS | QTY | TITLE | MATERIAL | DIMENSION | DWG NR |

| | | |
|---|--|--|
| C | | |
| B | | |
| A | | |

Rev.: REV. DATE: REVISION SUBJECT

| | | | |
|----------|------------|---|---|
| Date: | 15-9-2021 |  <p>Rob Snel Technische Groothandel Industrieweg 39 3361 HJ Sliedrecht</p> <p>T +31 (0)184 43 30 30 F +31 (0)184 43 30 31 E s.snel@robsnel.nl I www.robsnel.nl</p> | Art.nr: |
| Drawn: | Hans Baars | | Projection type: |
| Scale: | 1:1 | |  |
| Status: | Pending | | |
| Cust.: | | | |
| Project: | | | |

Title: **Assembly M16 Toggle nut - Eye bolt - Fixation set**

| | | | | |
|------|---------------------|-----------|----------|-----------|
| Mat: | Dwg.nr: | Revision: | Sheet: | Format: |
| | 16.SS.045.12 | | 1 | A3 |