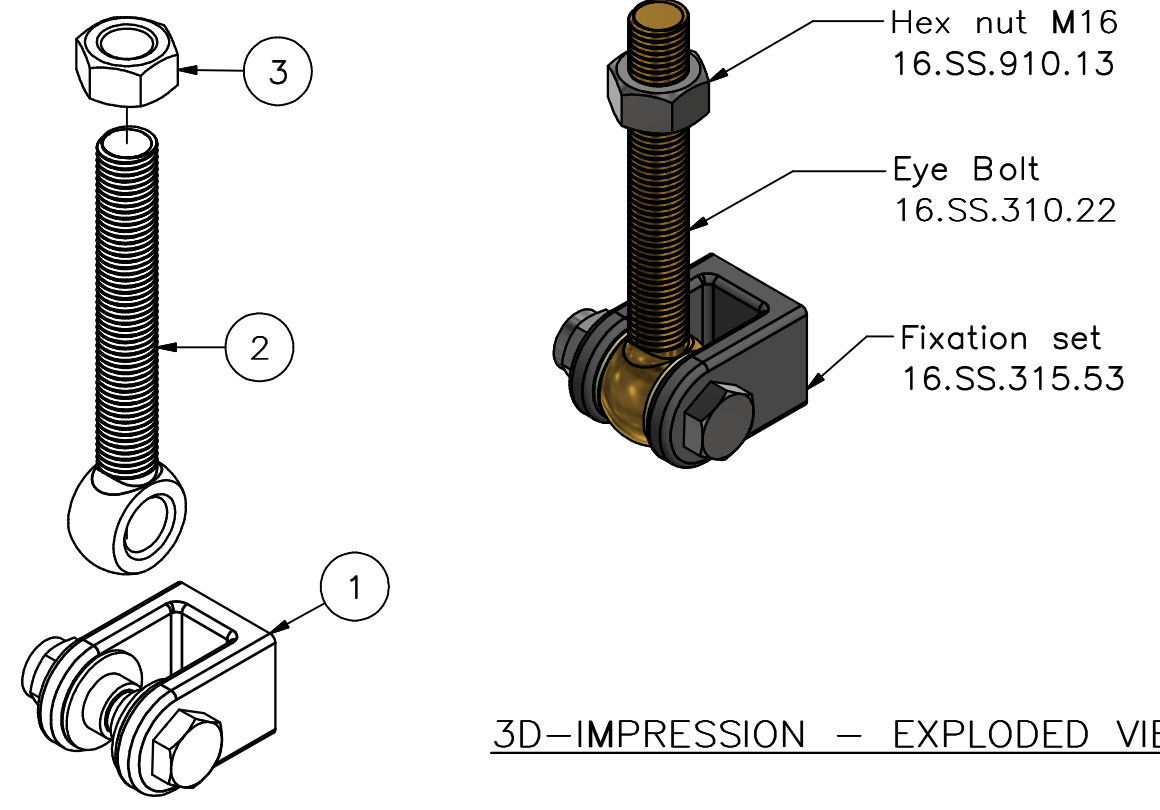
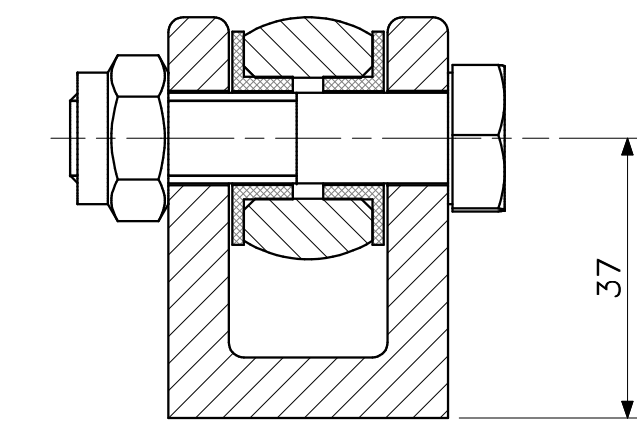
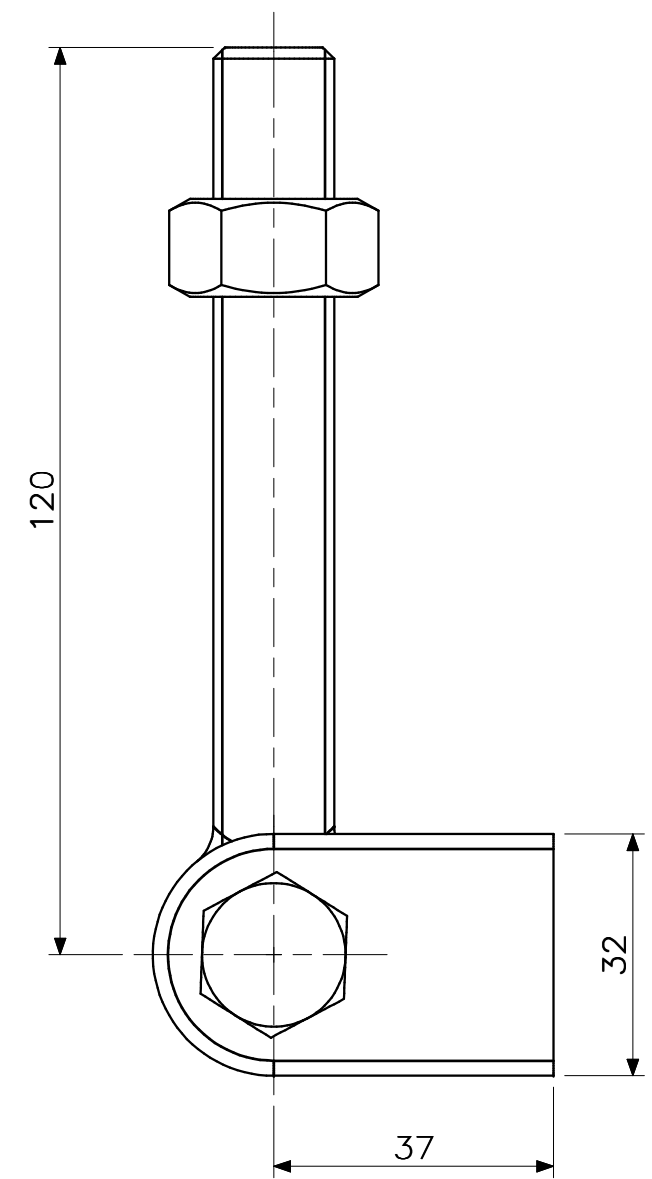
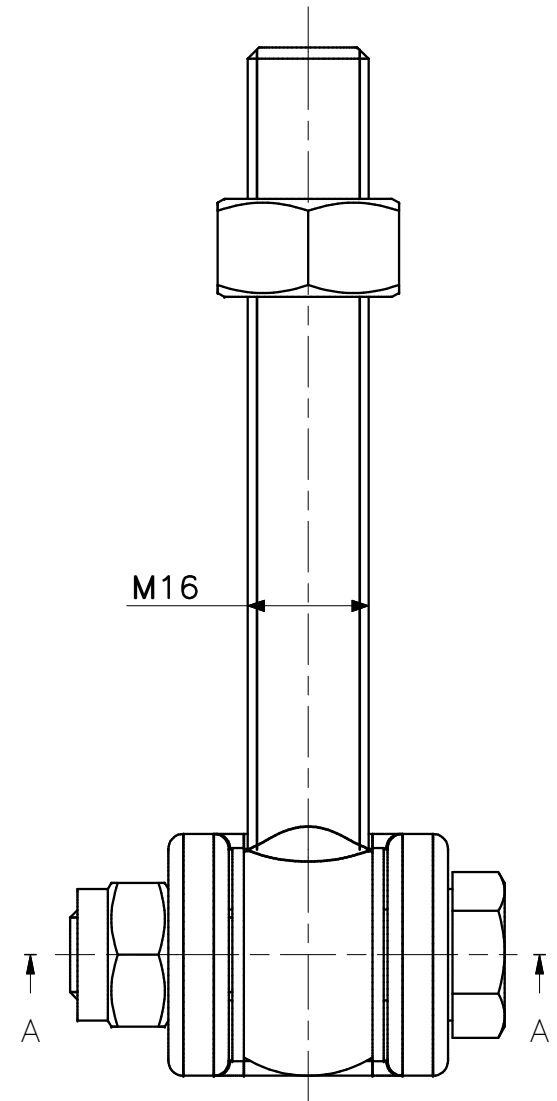


This drawing and design is protected by copyright and the information is confidential. It is also protected and registered under Dutch laws through the Dutch government department for taxes. The drawing and/or models may not be copied, reproduced, duplicated or disclosed to others, in whole or in part without prior written consent of Rob Snel B.V./the Netherlands


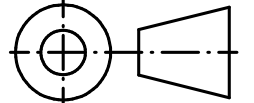


3D-IMPRESSION - EXPLODED VIEW

3	1	Hex Nut	Stainless Steel	M16	16.SS.910.13
2	1	EYE BOLT M16x120 MESSING	Stainless Steel	M16x120	16.BR.310.12
1	1	Fixation Set	Stainless Steel		16.SS.315.53
POS	QTY	TITLE	MATERIAL	DIMENSION	DWG NR

C		
B		
A		

Rev.: REV. DATE: REVISION SUBJECT

Date:	21-7-2021	 <p>Rob Snel TECHNISCHE GROOTHANDEL</p>	Rob Snel Technische Groothandel Industrieweg 39 3361 HJ Sliedrecht T +31 (0)184 43 30 30 F +31 (0)184 43 30 31 E s.snel@robsnel.nl I www.robsnel.nl	Art.nr:
Drawn:	Hans Baars			Projection type:
Scale:	1:1			
Status:	Pending			
Cust.:				
Project:				

Title: **Assembly M16 Toggle nut - Eye bolt - Fixation set**

Mat:	Dwg.nr:	Revision:	Sheet:	Format:
	16.BR.029.12		1	A3