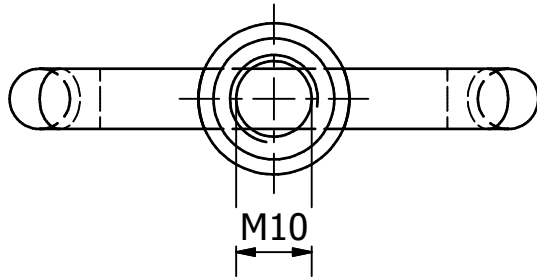
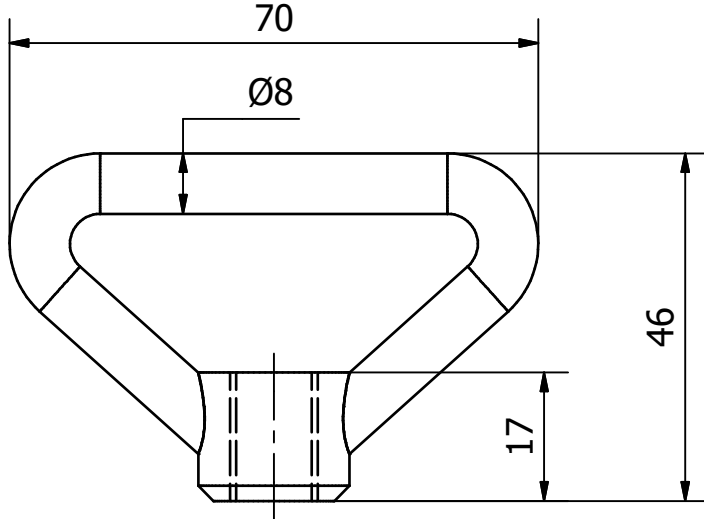


This drawing and design is protected by copyright and the information is confidential. It is also protected and registered under Dutch laws through the Dutch government department for taxes. The drawing and/or models may not to copied, reproduced, duplicated or disclosed to others, in whole or in part without prior written consent of Rob Snel B.V./the Netherlands



C									
B									
A									
Rev.:	REV. DATE:	REVISION SUBJECT							
Date:	21-10-2021	 <b>Rob Snel</b> TECHNISCHE GROOTHANDEL				Art.nr:			
Drawn:	HB					Rob Snel Technische Groothandel Industrieweg 39 3361 HJ Sliedrecht			
Scale:	1:1					Projection type:			
Status:	Pending								
Cust.:						T +31 (0)184 43 30 30 F +31 (0)184 43 30 31 E <a href="mailto:s.snel@robsnel.nl">s.snel@robsnel.nl</a> I <a href="http://www.robsnel.nl">www.robsnel.nl</a>			
Project:		Title: <b>TOGGLE M10</b>							
Mat:	Dwg.nr:	10.SS.201.00		Revision:	0	Sheet:	1	Format:	A4